



Bathtub - Tara.

Tub mixer for wall-mounted installation with hand shower set - polished chrome

Article number: 25 133 892-00



- 9-1/2" Projection
- Spout: Round aerated stream
- Hand shower set: Standard spray
- Hand shower set with anti-scale technology
- Tub / shower diverter
- Flanges Ø 2-1/2"
- Wall bracket with flange Ø 2"
- 1/2" connection
- Center to center 5-7/8" ± 6"
- Metal shower hose 49-1/4" with anti-twist device
- Water flow rate limited to max. 5.8 gpm
- Handshower flow rate max. 1.8 gpm
- Fittings group in compliance with DIN 4109: 1
- NOTE: Local building codes may require the use of an anti-scald device. Please refer to remote pressure balance valve (35 910 970 90)
- Internal backflow preventer.
- Combination with risers possible on request (x-TRA SERVICE).



polished chrome

Accessory is required for this item.

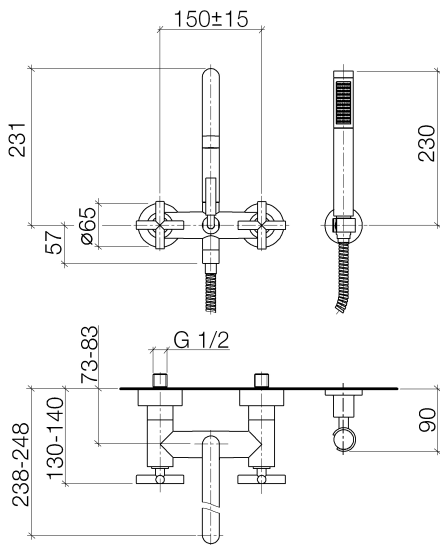


Bathtub - Tara.

Tub mixer for wall-mounted installation with hand shower set - polished chrome

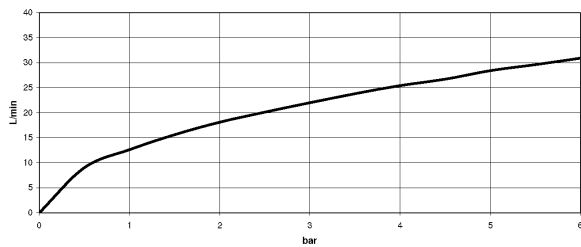
Article number: 25 133 892-00

Dimensional drawing



All dimensions in mm / inch = mm x 0,0394

Flow rate chart





Bathtub - Tara.

Tub mixer for wall-mounted installation with hand shower set - polished chrome

Article number: 25 133 892-00

Other surface finishes



polished chrome
25 133 892-00 0010



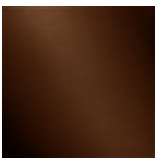
platinum matte
25 133 892-06



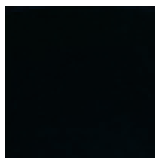
platinum
25 133 892-08



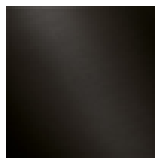
Dark Brass matte
25 133 892-16



Dark Bronze matte
25 133 892-17



black matte
25 133 892-33



Dark Platinum matte
25 133 892-99

More custom finish options are available via special production (xTra Service). Please see our finish matrix for availability and pricing or contact a Dornbracht representative.

Required article



35 080 970-90 0010
Rough-in adapter -

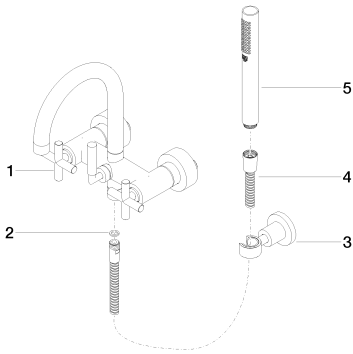


Bathtub - Tara.

Tub mixer for wall-mounted installation with hand shower set - polished chrome

Article number: 25 133 892-00

Spare parts list



Number	Item Number	Designation	Number of units
<hr/>			